

Specifications

MODEL	X554UNS		X554UN		X464UNS		X464UN		X464UNV	
LCD Module	55"/1388 mm diagonal				46"/1168 mm diagonal					
Pixel Pitch	0.630 mm				0.530 mm					
Resolution	1920 x 1080									
Colours	Over 16 million colours (depending on video card used)									
Brightness	700 cd/m2 (Max.), 500 cd/m2 (Factory setting Typ.) @25°C				500 cd/m2 (Max.), 350 cd/m2 (Factory setting Typ.) @25°C					
Contrast Ratio	3500:1									
Viewing Angle	178° (typ) @ CR>10									
Frequency										
Horizontal	15.625/15.734 kHz, 31.5 kHz - 91.1 kHz (Analog Input)				31.5 kHz - 91.1 kHz (Digital Input)					
Vertical	50.0 - 85.0 Hz									
Input Signal										
DVI	DVI-D 24pin	Digital RGB	DVI (HDCP) VGA60, SVGA60, XGA60, WXGA60, SXGA60, UXGA60**1, 1920x1080 (60Hz), 1080p, 1080i							
DisplayPort	DisplayPort Connector	Digital RGB	DisplayPort Complies with Standard V1.2, applicable to HDCP V1.3 VGA60, SVGA60, XGA60, WXGA60, SXGA60, UXGA60**1, WUXGA60**1, 1920x1080 (60 Hz), 1080p, 1080i, 720p@50Hz/60Hz, 576p@50Hz, 480p@60Hz, 3840x2160 (30Hz/24Hz)**1, **4							
VGA**	15pin Mini D-sub	Analog RGB Sync	0.7 Vp-p/75 ohm VGA60, SVGA60, XGA60, WXGA60, SXGA60, UXGA60**1, WUXGA60**1, 1920x1080 (60Hz) Separate: TTL level (Pos./Neg.) Composite sync on Green Video: 0.3 Vp-p Neg.							
HDMI	HDMI Connector	Digital YUV Digital RGB	HDMI VGA60, SVGA60, XGA60, WXGA60, SXGA60, UXGA60**1, WUXGA60**1, 1920x1080 (60 Hz), 1080p, 1080i, 720p@50Hz/60Hz, 576p@50Hz, 480p@60Hz, 576i@50Hz, 480i@60Hz, 3840x2160 (30Hz/24Hz/25Hz)**1, **4, 4096x2160 (24Hz)**1, **4							
Y/Pb/Pr**	15pin Mini D-sub	Component	Y: 1.0 Vp-p/75ohm, Cb/Cr (Pb/Pr): 0.7 Vp-p/75 ohm HDTV/DVD: 1080p, 1080i, 720p@50Hz/60Hz, 576p@50Hz, 480p@60Hz, 576i@50Hz, 480i@60Hz							
Output Signal										
DisplayPort	DisplayPort Connector	Digital RGB	DisplayPort Complies with Standard V1.2, applicable to HDCP V1.3							
AUDIO										
AUDIO Input	STEREO Mini Jack	Analog Audio	Stereo L/R 0.5 Vrms							
	HDMI Connector	Digital Audio	PCM 32, 44.1, 48 KHz (16/20/24bit)							
	DisplayPort Connector	Digital Audio	PCM 32, 44.1, 48 KHz (16/20/24bit)							
AUDIO Output	STEREO Mini Jack	Analog Audio	Stereo L/R 0.5 Vrms							
Speaker Output	External Speaker Jack 15 W + 15 W (8 ohm)									
Control										
RS-232C In	9 Pin D-sub									
LAN	RJ-45 10/100 BASE-T									
Remote IN	Stereo Mini jack 3.5ø									
Service port	USB service port for maintenance									
Power Supply	3.8 - 1.6 A @ 100-240V AC, 50/60Hz				3.0 - 1.2 A @ 100-240V AC, 50/60Hz				2.6 - 1.1 A @ 100-240V AC, 50/60Hz	
Operational Environment										
Temperature**	0 - 40°C / 32 - 104°F									
Humidity	20 - 80% (without condensation)									
Dimension	1213.5 (W) x 684.3 (H) x 100.4 (D) mm	1215.3 (W) x 686.1 (H) x 99.6 (D) mm	1022.0 (W) x 576.6 (H) x 101.3 (D) mm	1024.0 (W) x 578.6 (H) x 99.7 (D) mm	1024.0 (W) x 578.6 (H) x 117.3 (D) mm					
Weight	27.9 kg	29.2 kg	20.4 kg	23.0 kg	22.8 kg					
VESA compatible mounting interface	400 mm x 400 mm (M6, 4 Holes)				300 mm x 300 mm (M6, 4 Holes)					
Power Management	VESA DPM									
Plug & Play	VESA DDC2B, DDC/CI, DisplayPort									
Power supply for Slot 2 type OPTION	16V/3.6 A									
Accessories	Setup manual, Power Cord, Video Signal cable (DisplayPort to DisplayPort cable), LAN cable, Clamp x 3, Screw x 3, CD-ROM, Thumbscrew for optional stand x 2				Setup manual, Power Cord, Video Signal cable (DisplayPort to DisplayPort cable), LAN cable, Clamp x 1, Screw x 1, CD-ROM					

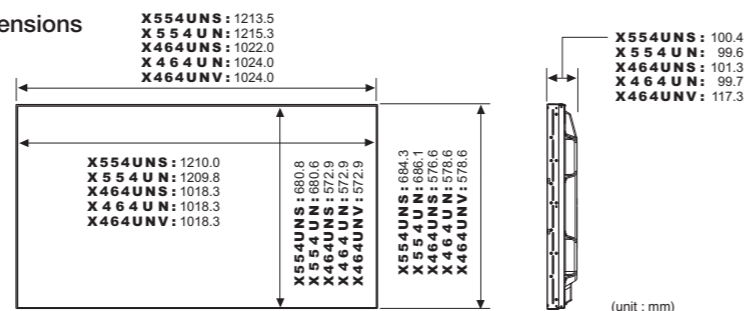
*1: Compressed image. *2: Common terminal. *3: When you use option board accessories, please contact your supplier for detailed information. *4: Displayed text may be blurred.

Options

	Slot Board				Wall Mount Kit			Sensor Kit		Speaker	
	OPS-Single Board Controller (Computer)				Landscape	Portrait	Over Frame Kit	Stand	Human, Ambient light IR Remote	Ambient light IR Remote	SP-RM1 SP-TF1
	N8000-8866	N8000-8865	N8000-8830	N8000-8822							
	Corei5 80GB-SSD	Corei5 320GB-HDD	Corei5-520E	Celeron-P4505	SB-01HC SB-04HC	SB-07BC					
X554UNS											
X554UN											
X464UNS	Yes	Yes	Yes	Yes	Yes	Yes			Yes	Yes	Yes
X464UN											
X464UNV											

Local options: please contact your supplier.

Dimensions



All hardware and software names are brand names and/or registered trademarks of the respective manufacturers. All rights reserved. All specifications are subject to change without notice. Nov. 2014

<http://www.nec-display.com/ap/>

Cat.No. WLCD-1411-0012S

Large-Screen LCD

Empowered by Innovation **NEC**

Ultra-narrow, professional-grade LCD displays

MultiSync® X554UNS / X554UN / X464UNS / X464UN / X464UNV



With perfect picture quality and high product reliability, these displays are designed for the rigors of 24/7 operation

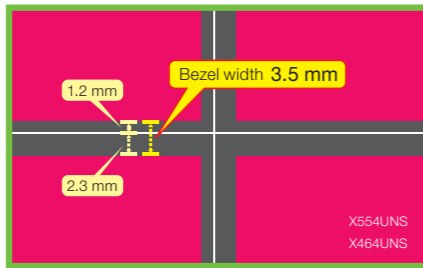
Orchestrating a brighter world

The ability to run 24/7, an ultra narrow bezel and wide viewing angle make these 700cd/m²* Full HD LED-backlit displays ideal for large video wall installations

* Maximum brightness, X464UNV is 500cd/m²

An ultra narrow bezel

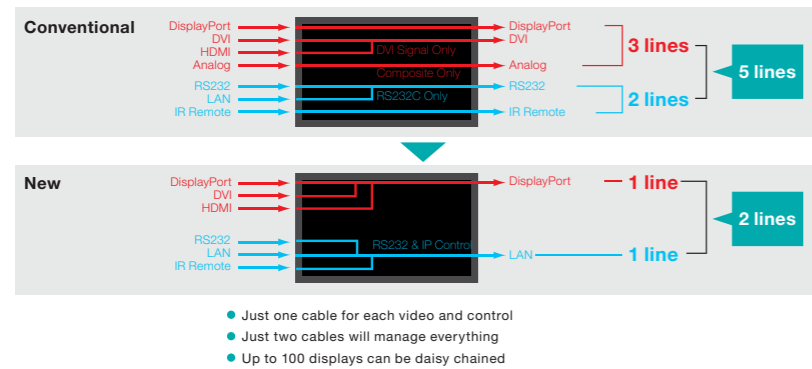
Mere millimeters separate content from display to display, which ensures a smooth transition across a video wall. The X554UNS/X464UNS now minimize that distance to a ground-breaking 3.5 mm, while the X554UN/X464UN, and X464UNV displays have a bezel width as thin as 5.5-5.7 mm.



Bezel Width	Left/Top	Right/Bottom	Multi-screen Configuration
X554UNS X464UNS	2.3 mm	1.2 mm	3.5 mm
X554UN	3.7 mm	1.8 mm	5.5 mm
X464UN X464UNV	3.8 mm	1.9 mm	5.7 mm

DisplayPort and LAN Control Daisy Chain

Video signals and control signals can be daisy chained with one DisplayPort and LAN line respectively. That means that just two cables manage everything for setup.



Auto TileMatrix and Auto ID technology

Auto TileMatrix and ID features allow a user to simply set up the size of the video wall on the first display and automatically scale the content through the remaining displays, you can set up an entire video wall (of up to 100 displays in a 10 x 10 matrix).

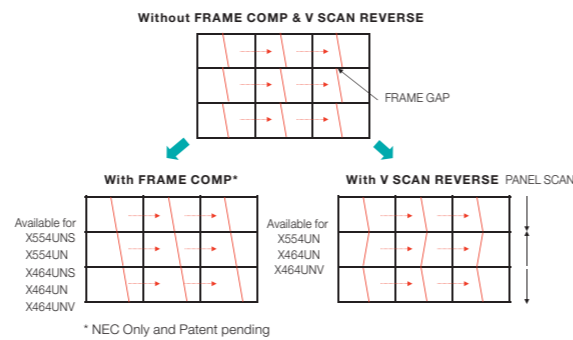
Intelligent Wireless Data Function

The built-in near field communication (NFC) chip allows data to be read and written via a mobile phone or tablet PC. Users can reduce installation costs significantly as displays can be easily configured and serviced using the NEC NFC Android app. This is available even when the display is switched off and especially useful on larger installations.



Frame Comp Function

By synchronizing the content across the wall, this feature supports a seamless appearance and shows content without any disturbances to create one stunning image over all screens.



Advanced Heat Management

Monitoring and managing the temperature of each display is crucial to secure reliability and longevity. An industrial-strength, premium-grade panel with additional thermal protection, internal temperature sensors with self-diagnostics, and fan-based technology allows for 24/7 operation, and protects your display investment.



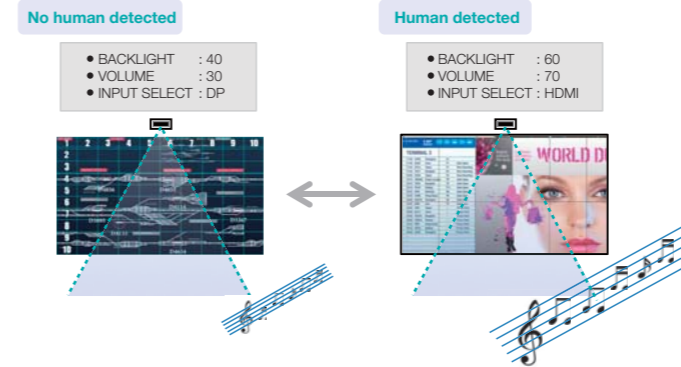
NEC's advanced heat management ensures uniform heat dissipation. Without heat management displays placed higher on a wall sustain more heat.

DisplayPort Multi-stream Function

Thanks to the multi-stream function of DisplayPort, multiple displays can be daisy chained and still be controlled individually. This also makes a 2x2 video wall with native Ultra High Definition 4K/2K (3840 x 2160) possible.

Human Sensor and Advanced Auto Dimming

This new optional human sensor accessory (KT-RC2) helps to deliver creative digital signage to end users by allowing for dynamic control of brightness, audio and source inputs while saving operating costs. Auto dimming adjusts the backlight of the LCD automatically depending on the amount of ambient light.



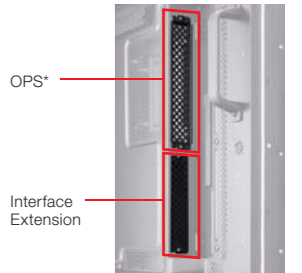
Dedicated Colour Calibration Software

As the brightness and colour temperature of the LCD change with time, colours may not match across multiple screens. Our dedicated colour calibration software* ensures colour uniformity and fidelity across multiple screens, creating a perfectly matched image in tiled environments.

* NEC Display Wall Calibrator

Optional Dual Expansion Slots

The dual slot technology allows for the integration of Open Pluggable Specification (OPS*) boards and other option slot products without the need to store additional external equipment. This offers the greater flexibility customers require.



*OPS is a standard established by Intel Corporation.

NaViSet Administrator 2

This software is an all-in-one remote support solution that runs from a central location and provides monitoring, asset management and control functionality of the majority of NEC display devices and Windows computers. It is ideal for multi-device installations over larger infrastructures.



Proof of Play

This function provides accurate proof that displays are working as established and is helpful when checking on the status of the displays installed at user's site.

Other Useful Features and Functions

- Landscape/portrait capable
- Scheduler w/real-time clock Intelligent
- Power Management System
- Power ON delay
- Screen saver function
- Aspect ratio control
- Memo function
- Carbon footprint meter
- Image and on-screen display flip
- Picture-in-Picture, Picture-out-Picture
- Point zoom
- Control lock function
- 6-axis color adjustments and sRGB standard
- Advanced video settings (Noise reduction, adaptive contrast)
- Color temperature adjustment
- Programmable gamma setting (3 settings)
- DICOM SIM
- Plug and Play (DDC/CI, DDC2B)
- HDCP(High-bandwidth Digital Content Protection)
- Ethernet and RS-232C control and communication
- Crestron RoomView
- AMX Discovery HTTP server
- PjLink
- Self-diagnosis
- Status log function
- Firmware update by LAN
- Metal rear cabinet with VESA Standard (FDMIv1) Mounting Interface
- Handles

Terminal panel

