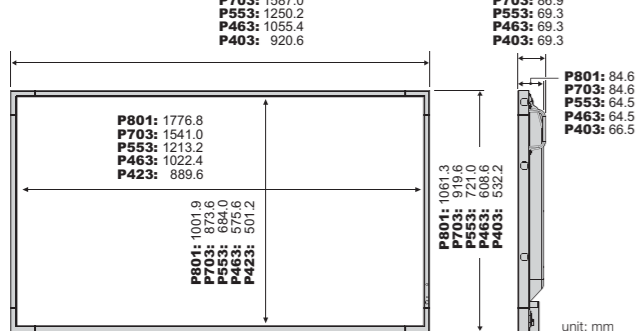


## Specifications

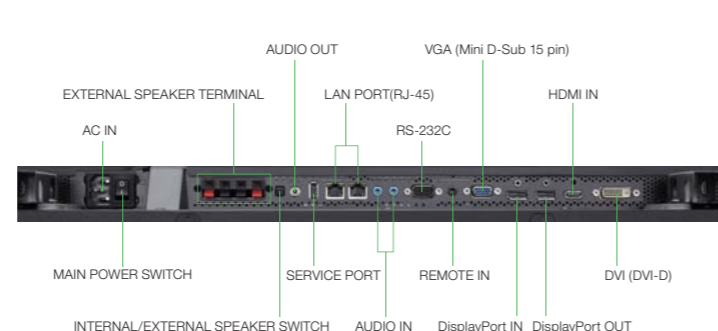
MODEL	P801	P703	P553	P463	P403
<b>LCD MODULE</b>					
Viewable Size (Diagonal)	80"	70"	55"	46"	40"
Panel Technology	UV <sup>2</sup> A		SPVA		
Native Resolution	1920 x 1080				
Pixel Pitch	0.923 mm	0.802 mm	0.630 mm	0.530 mm	0.461 mm
Brightness (Typical/Maximum)	560 cd/m <sup>2</sup> / 700 cd/m <sup>2</sup> *1		550 cd/m <sup>2</sup> / 700 cd/m <sup>2</sup>		
Contrast Ratio (Typical)	5000:1			4000:1	
Active Screen Area (W x H)	1771.2 x 996.3 mm	1538.9 x 965.6 mm	1209.6 x 680.4 mm	1018.1 x 572.7 mm	885.6 x 498.2 mm
Response Time (Typical)	4 ms (G to G) / 8 ms (G to G)				
<b>CONNECTIVITY</b>					
<b>Input Terminals</b>					
DisplayPort	DisplayPort				
HDMI	HDMI				
DVI	DVI-D				
VGA	Mini D-sub 15 pin				
YPbPr	Mini D-sub 15 pin (Sharing with VGA)				
Audio	Stereo Mini Jack x 2				
<b>Output Terminals</b>					
DisplayPort	DisplayPort				
Audio	Stereo Mini Jack				
<b>External Control</b>					
RS232C in	Mini D-Sub 9 pin				
Ethernet	RJ-45 10/100BASE-T x 2				
External IR in	Stereo Mini Jack				
External IR out	possible via Ethernet				
DDC/CI	Mini D-sub 15 pin / DVI-D				
<b>Speaker Output</b>					
External Speakers	15 W + 15 W (8 Ω)				
Internal Speakers	10 W + 10 W				
<b>POWER</b>					
Power Requirement	4.8 A @ 100-120 V, 2.0 A @ 220-240 V	3.6 A @ 100-120 V, 1.6 A @ 220-240 V	3.6 A @ 100-120 V, 1.5 A @ 220-240 V	3.2 A @ 100-120 V, 1.3 A @ 220-240 V	2.9 A @ 100-120 V, 1.2 A @ 220-240 V
Power Consumption (Typical)	235 W		150 W		105W
Power Consumption - standby Mode	<0.5 W				
<b>PHYSICAL SPECIFICATIONS</b>					
Bezel Width (L/R, T/B)	29.7 mm / 29.7 mm	23.0 mm / 23.0 mm	18.5 mm / 18.5 mm	16.5 mm / 16.5 mm	15.5 mm / 15.5 mm
Dimensions (without stand; WxHxD)	1836.2 x 1061.3 x 86.9 mm	1587.0 x 919.6 x 86.9 mm	1250.2 x 721.0 x 69.3 mm	1055.4 x 608.6 x 69.3 mm	920.6 x 532.2 x 69.3 mm
Packaging Dimensions (WxHxD)	2063.0 x 1391.0 x 360.0 mm	1738.0 x 1153.0 x 318.0 mm	1430.0 x 920.0 x 250.0 mm	1260.0 x 788.0 x 225.0 mm	1067.0 x 697.0 x 202.0 mm
Net Weight (without stand)	61.5 kg	47.0 kg	25.3 kg	21.4 kg	17.0 kg
Gross Weight (with box)	79.0 kg	61.0 kg	32.3 kg	27.4 kg	21.8 kg
VESA Hole Configuration	400 x 400 mm (M8, 4 holes)		300 x 300 mm (M6, 4 holes)		
<b>ENVIRONMENTAL CONDITIONS</b>					
Operating Temperature	0-40°C		0-40°C, 0-35°C (face up position / face down position / with Slot2)		
Operating Humidity	20-80 % (without condensation)				
<b>ACCESSORIES</b>					
Included	Power cord, DVI-D cable, Wireless remote control, Batteries, Setup manual, Clamps, Screws with washer, Thumbscrews for optional stand**, CD-ROM				
Optional	Please see the below chart				

\*1 This spec is subject to change \*2 For P553

### Dimensions



### Terminals



### Options

	Slot Board				Sensor Kit		Speaker		
	OPS-Single Board Controller (Computer)				Stand	Human, Ambient light IR Remote	Ambient light IR Remote	SP-TF1	SP-RM1
	N8000-8866	N8000-8865	N8000-8830	N8000-8822					
P801	Corei5 60GB-SSD	Corei5 320GB-HDD	Corei5-520E	Celeron-P4505	SB-01HC SB-04HC	SB-07BC			
P703	Yes	Yes	Yes	Yes	Yes	Yes	Yes	Yes	Yes
P553									
P463									
P403									

Local options; please contact your supplier.



All hardware and software names are brand names and/or registered trademarks of the respective manufacturers. All rights reserved. All specifications are subject to change without notice. Nov. 2014

<http://www.nec-display.com/ap/>

Cat.No. WLCD-1411-0011S

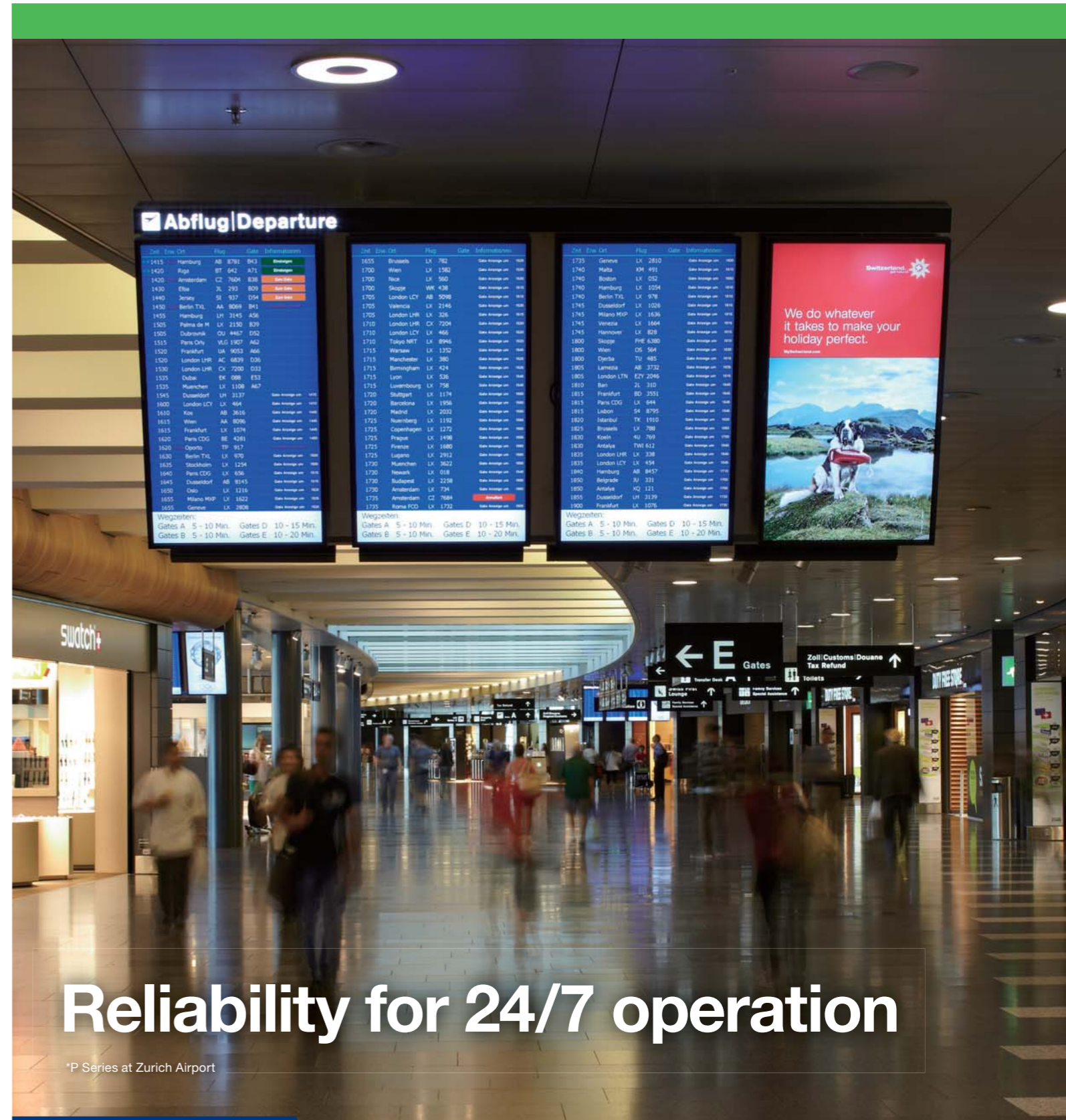
## Large-Screen LCD

Empowered by Innovation



## Professional Series LCD Public Displays

# MultiSync® P801 / P703 / P553 / P463 / P403



## Reliability for 24/7 operation

\*P Series at Zurich Airport

Orchestrating a brighter world



# 80",70",55",46" and 40" professional-grade, high-brightness LCD displays ideal for 24/7 digital signage applications

The professional-grade construction of P Series panels contributes to 24/7 usage, an overall longer panel life, lower likelihood of the Mura effect from localized heat, virtually no image retention and the ability to use in landscape, portrait, face up or face down orientation.\*

\* Face up / down possible with P553 / P463 / P403

## Easy to use, easy to set up (User Friendly)

### Reduction of 56% in Depth, 50% in Weight\*

\* Reduction rate for P703.

Thanks to the adoption of an LED backlight, this P Series is much lighter and thinner than the previous P Series, even using the same rear metal cabinet structure.

In addition, the P553, P463, P403 have advanced slim bezels with width of 18.5 mm, 16.5 mm, and 15.5 mm which meet the needs of those who are particular about spatial aesthetics.

#### Comparison with our former model

P702	P703	reduction	P552	P553	reduction
Depth 198 mm	86.9 mm	56%	Depth 125.4 mm	64.5 mm	49%
Weight 94.5 kg	47 kg	50%	Weight 40 kg	25.3 kg	37%

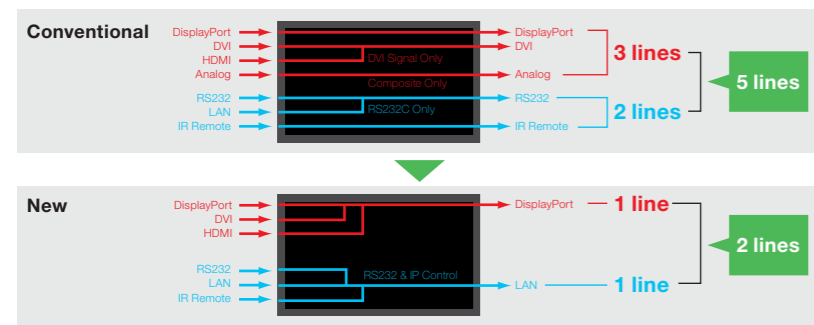
P462	P463	reduction	P402	P403	reduction
Depth 103 mm	64.5 mm	37%	Depth 103 mm	69.3 mm	33%
Weight 23.8 kg	21.4 kg	10%	Weight 20.8 kg	17 kg	13%

### DisplayPort Daisy Chain

The video signal can be daisy chained with one DisplayPort. This means that along with LAN control daisy chaining, just two cables manage everything for setup.

### LAN Control Daisy Chain

LAN Control daisy chaining enables all control to be looped out on RJ-45 and daisy chained by one LAN cable, which helps reduce both the number of cables and time for cabling work.



- Just one cable for each video and control
- Just two cables will manage everything
- Up to 100 displays can be daisy chained



### Intelligent Wireless Data Function

This P Series is equipped with an NFC function, enabling you to write and read the display setting data on a Smartphone or Tablet PC compatible with NFC / RF-tag. This "Intelligent Wireless Data Function" is available even when the monitor is switched off and is helpful for power saving.

### Expansion Slot

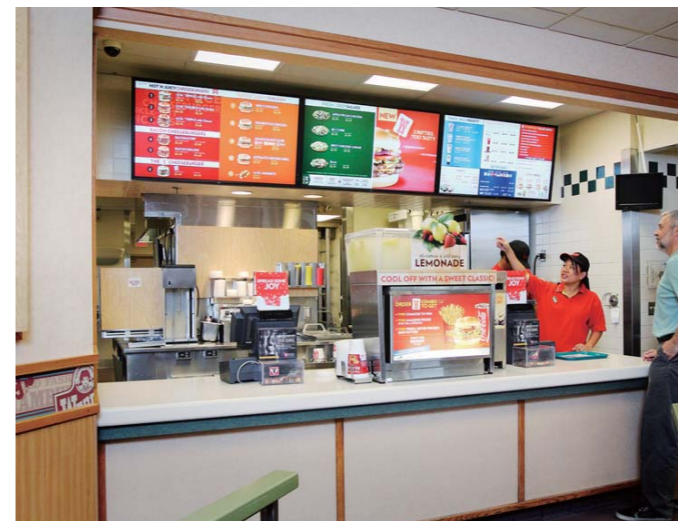
The expansion slot enables you to add an optional board, including OPS-compliant SBC\*, which provides greater flexibility to install displays in locations without space for display devices like computers and display controllers. A slot for an analogue signal is under preparation.



\* OPS is a standard established by Intel Corporation.

### Multi Stream Function

The Multi stream function, when used with a DisplayPort, enables you to control multiple displays and display different content on each. This feature also enables you to make a 2 x 2 video wall to display 4K2K content at native resolution.



P Series at Wendy's



P Series at McCarran International Airport Las Vegas, Nevada

## ECO (Environmentally Friendly)

### Excellent Power Efficiency by LED Backlight

Use of the white LED backlight reduces power consumption up to 32 % compared to our former models. It also contains no mercury to reflect the consideration towards minimizing the impact on the environment.

#### Comparison with our former model

70"	P703	Reduction	55"	P553	Reduction
200 W	150 W	25 %	165 W	150 W	9 %

46"	P463	Reduction	40"	P403	Reduction
155 W	115 W	26 %	155 W	105 W	32 %

### Advanced Auto Dimming Function

Auto dimming functions have been enhanced in this P Series and not only enable automatic adjustment of the backlight by APL (average picture level) or brightness of the environment, but also enable switching to AUTO OFF or CUSTOM mode automatically when motion is not detected for a set time.



In bright light

In dim light

### Human Sensor

In addition to the current light sensor and IR receiver, this new optional control kit (KT-RC2) makes a motion sensor available for the P Series. This function is helpful to save the unnecessary power or make interesting use of the display.



### New Power Save Function

To meet the industry regulations such as ErP, an auto-standby function has been added so that control commands can be received even when the display is in standby mode to save energy.

### Proof of Play

This function provides accurate proof that a display is working as established and is helpful when checking remotely on the status of a display installed at user's site.

## Other functions

- Built in speakers
- Point zoom
- Enhanced picture in picture
- Image flip
- Memo function
- PLink
- Creston RoomView
- AMX Discovery HTTP server
- Status log function
- Thermal protection
- Advanced cooling system
- Self-diagnosis
- Wall calibration
- Firmware update by LAN
- NaViSet software
- Colour temperature adjustment (2600-10,000)
- Ethernet control and communication